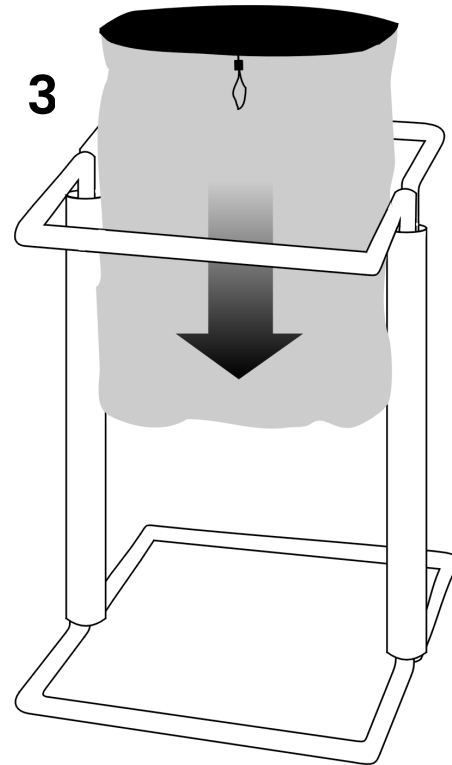
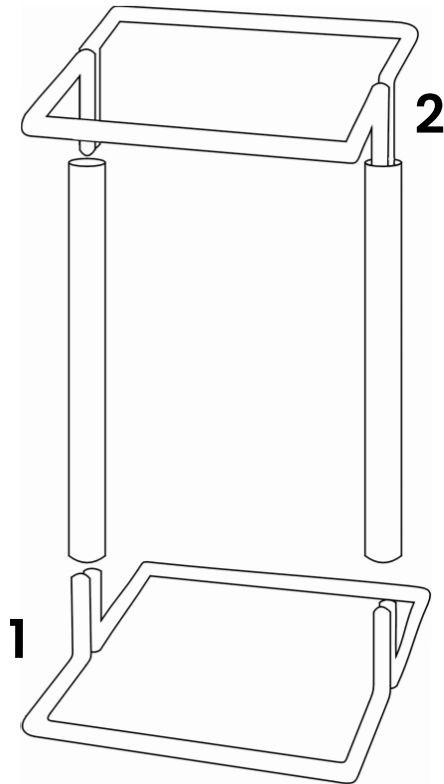


INSTRUCTIONS FOR GARDEN BAG FRAME ASSEMBLY



1. Put the two larger base frames into the upright tubes.
2. Put the two smaller top frames into the upright tubes.
3. Place your bag inside the fram and fold the top of the bag over the top frame.
4. Pull the drawstring in tight.

